

Terminal Tractor Service Bulletin



Subject: Block Heater Relay – USPS Trucks			
Product: Medium Terminal Tractor	Bulletin # SB18TI0098	Date: 09-Nov-2018	Pages: Page 1 of 6
To: All Kalmar Sales Companies		From: Medium Terminal Tractor Product Support	

Units Affected: United States Postal Service trucks with serial numbers 347330 through 347705

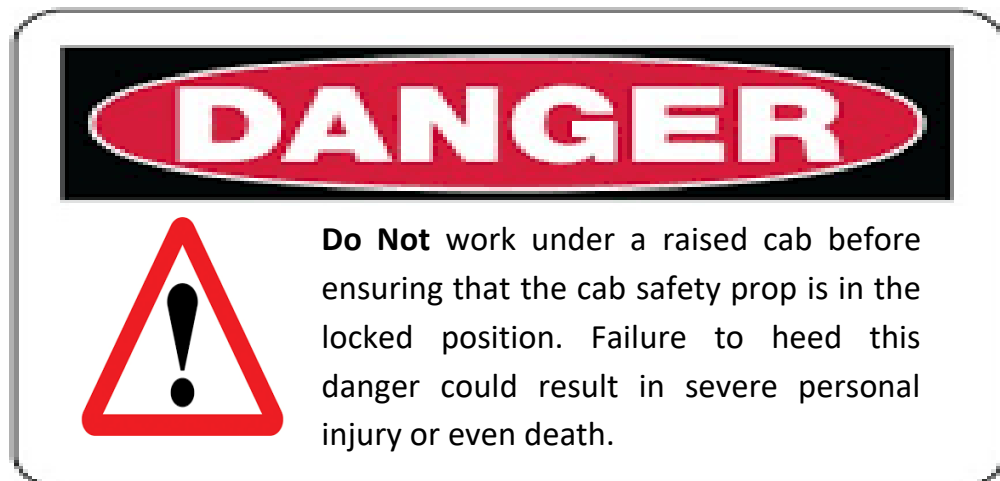
Possible Situation: The block heater relay box is not watertight and water intrusion can lead to early failure.

Solution: Install replacement relay using kit part number SK8821 per the following:

- Park truck on a level surface
- Shut off the engine
- Set park brakes
- Chock wheels
- Raise the cab

Cab tilling-up:

- Lift the cab, the cab tilt control switch and cable lanyard for the safety prop are located on the left-hand frame rail in most cases. (Reference the T2 Terminal Tractor Operator’s Manual page 15 for tilt cab operation.)

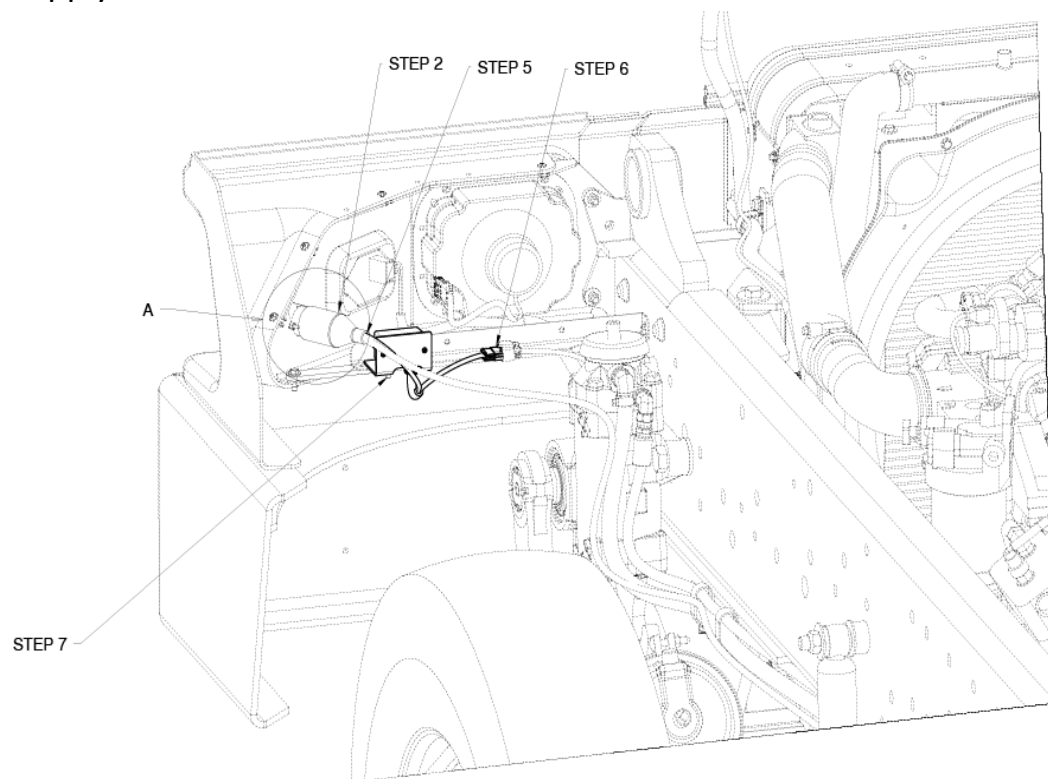


Terminal Tractor Service Bulletin



Subject: Block Heater Relay – USPS Trucks			
Product: Medium Terminal Tractor	Bulletin # SB18TI0098	Date: 09-Nov-2018	Pages: Page 2 of 6
To: All Kalmar Sales Companies		From: Medium Terminal Tractor Product Support	

1. Ensure that the block heater is not connected to external electrical supply. Disconnect batteries.



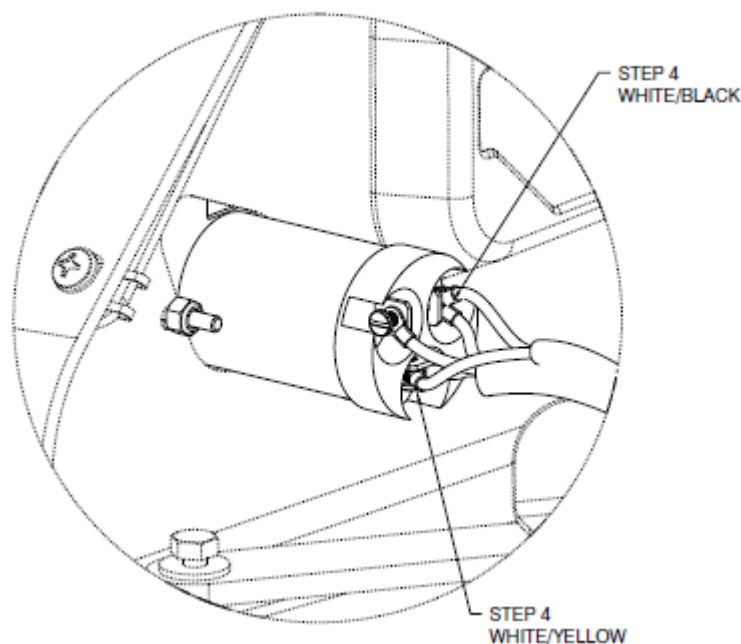
2. Locate the block heater plug on the underside of the cab and remove the rubber boot covering the plug.

Terminal Tractor Service Bulletin



Subject: Block Heater Relay – USPS Trucks			
Product: Medium Terminal Tractor	Bulletin # SB18TI0098	Date: 09-Nov-2018	Pages: Page 3 of 6
To: All Kalmar Sales Companies		From: Medium Terminal Tractor Product Support	

3. Slide the rubber boot off the plug to expose the backside of the plug.



4. Remove the two screws holding the wires from the block heater. (One wire is white with a black stripe and the other is white with a yellow stripe.) Reinsert the screws to hold remaining wire in place.
5. Remove the relay harness from the boot.

Terminal Tractor Service Bulletin

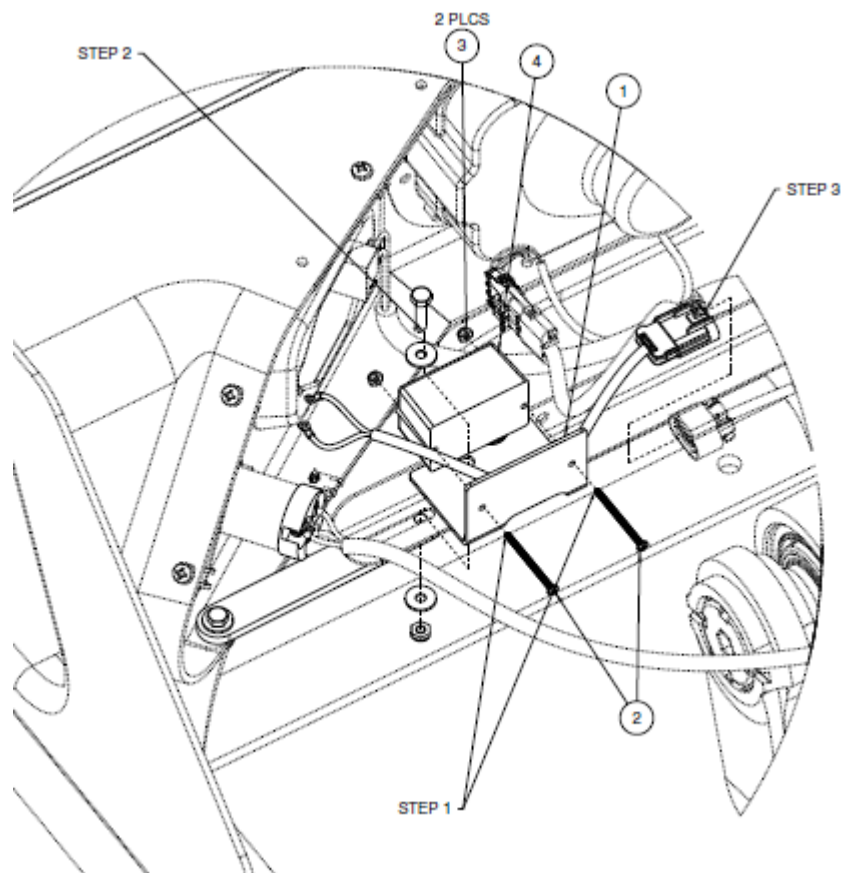


Subject: Block Heater Relay – USPS Trucks			
Product: Medium Terminal Tractor	Bulletin # SB18TI0098	Date: 09-Nov-2018	Pages: Page 4 of 6
To: All Kalmar Sales Companies		From: Medium Terminal Tractor Product Support	

6. Disconnect the ACIR plug on the other wire coming from the relay.
7. Remove the 5/16 bolt securing the relay bracket to the headlight stabilizer bar. Discard the relay and mounting bracket.

Note: Keep the mounting hardware.

New block heater relay installation

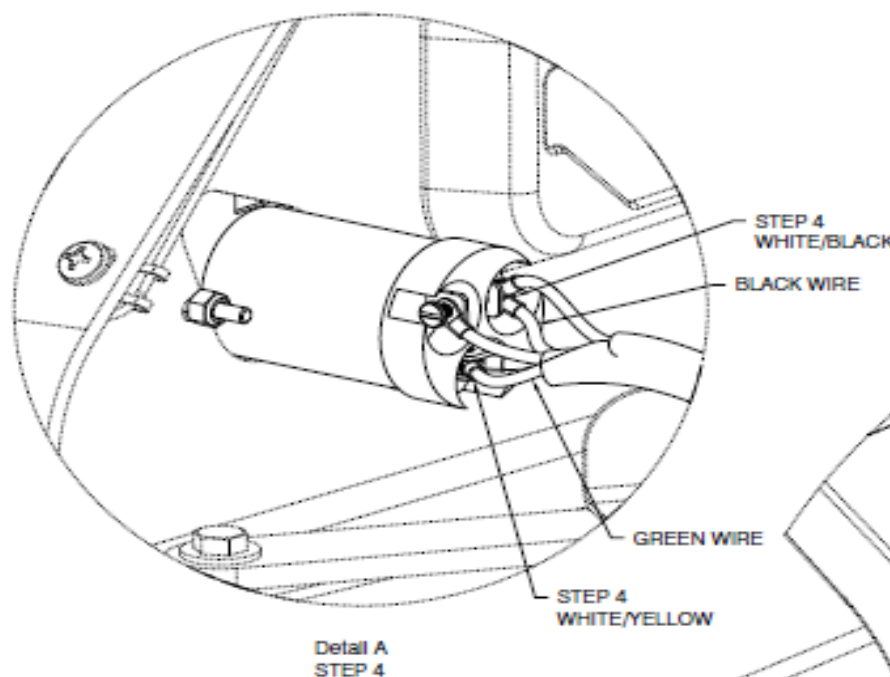


Terminal Tractor Service Bulletin



Subject: Block Heater Relay – USPS Trucks			
Product: Medium Terminal Tractor	Bulletin # SB18TI0098	Date: 09-Nov-2018	Pages: Page 5 of 6
To: All Kalmar Sales Companies		From: Medium Terminal Tractor Product Support	

1. Insert wires of the relay (ITEM 4) through the hole in the mounting bracket (ITEM 1). Secure items 1 and 4 using items 2 and 3.
2. Secure the new relay and bracket to the headlight support using the 5/16 hardware removed when taking out the old relay.
3. Reconnect the ACIR plug.



4. Slide the harness through the boot and connect as shown. (White/Black with Black and Green with White/Yellow)
5. Slide the rubber boot over the wires and back into place.
6. Reconnect the batteries, and lower the cab.

Terminal Tractor Service Bulletin



Subject: Block Heater Relay – USPS Trucks			
Product: Medium Terminal Tractor	Bulletin # SB18TI0098	Date: 09-Nov-2018	Pages: Page 6 of 6
To: All Kalmar Sales Companies		From: Medium Terminal Tractor Product Support	

7. Perform a function test; connect the block heater to power. Ensure that the light on the dash illuminates and the heater unit begins to heat.

Warranty Coverage: The following expenses are covered using standard Kalmar warranty policy.

- Travel - Up to 3 hours round trip unless approved for additional time prior to repair.
- Labor - 0.5
- Parts Kit – SK8821

Claim Submission:

To submit a claim in the C-Care warranty system select:

- Location code: 26 Recalls and Campaigns
- Sub Location: 08
- Failure code: Campaign
- Hours claimed: 0.5
- Description: USPS- Block Heater Relay

Serial Numbers of Affected Tractors:

T2 Tractors with serial numbers 347330 through 347705